

**S**

February 2003

# *Southeastern Aluminum Products, Inc.*

## THE SEALPRO INSTALLER

### *Signature*

#### **Pivot Door System**

The Signature Pivot Door System from Southeastern Aluminum Products debuted last year at the NGA Show in Houston, TX. Since then, the popularity of this innovative product has steadily increased to surpass all expectations. The popularity of the Signature System is attributed to the flexibility it allows in a heavy glass installation, which was previously unheard of in heavy glass bath enclosures. Many dealers have commented on how much easier and less time consuming their installations are and how adjustments can be made during installation.

An example of this adjustability can be found in the vertical reveal that you allow when planning your installation. If necessary, the glass can be moved horizontally to manipulate the amount of vertical reveal. Almost every heavy glass installer has found themselves in a situation where they wished they could adjust their glass 1/16th of an inch. A Signature Pivot door will allow adjustment relative to the amount of initial vertical reveal.

Many dealers have begun to order the Signature Pivot System as a complete glazed unit. With proper measuring at the jobsite, Southeastern will calculate your glass sizes and provide you with a complete glazed unit.

The Signature Pivot Door is a "system". This means that any configuration is possible; including in-line panels, return panels, panels on a buttress wall, panels taller than the door, french style entry, the list goes on.

For more information please contact your customer service representative.



#### **Color Options for Signature Pivot**

The ever-popular Signature Pivot Door System for Heavy Glass is now available in any color under the rainbow. Just provide us with a color sample and your Signature Pivot door will be powder coated to match.

This new availability will allow our dealers to provide their customers with just about any request. Contact your customer service representative for pricing and lead times.

#### **New Signature Pivot Base Plates**

Previously, the base plate available with the Signature Pivot door was offered in white only. Southeastern now offers four different colors for matching the tile in your bath or shower.

In addition to white, we have added black, gray and beige as options for the base plate color.

Be sure to make a note of which color will best blend with the tile when taking your measurements. Your customer service representative will be asking your color preference on your next Signature Pivot order.

## Product News

### Signature By-pass Custom Extrusions in Brushed Nickel

Signature By-pass extrusions are now available that will allow our customers to build a custom Signature By-pass, with in-line and return panels, in Brushed Nickel.

These extrusions are available as a cut-to-size custom unit or in stock lengths. Contact your customer service representative if you would like more information.

### Oil Rubbed Bronze

Oil Rubbed Bronze is a new color to the kitchen and bathroom scene. Fixtures have been available in the color for some time and now it is available in bath enclosure extrusions. Southeastern Aluminum is making Oil Rubbed Bronze available for any configuration by utilizing a custom powder coat process to achieve this popular new color.

Please contact your customer service representative for pricing and lead times.

### 3/8" Rain Glass

3/8" Rain Glass was recently tested by our engineers for security in the Signature By-pass and Signature



Pivot Door systems. The rain glass was installed in both configurations and performed very well. 3/8" rain glass is suitable for use in both of these systems and is now available for glazed custom units.

### CrystalLine Frameless Hinge Magnet

A new one-piece magnet will be introduced in early April. The new magnet is smaller, cleaner looking and less obtrusive than the old. It has also been designed to reduce the magnetic pull by about 25% to make the door easier to open.

### Adjustable Header Bracket for Signature Pivot

For odd angle miter corners, an adjustable corner bracket is now being offered. The bracket will adjust to accommodate any angle from 0 to 180 degrees.

### CrystalLine Hinge Header Brackets

CrystalLine hinge header brackets have been redesigned to use four set screws to lock the header and threshold corners in place. The previously used screws allowed no room for corner re-adjustment and tightening. The new set screws allow for corner adjustment and will produce higher quality miter joints. The new brackets also have longer legs that will penetrate further into the header giving a more solid miter corner.

Production using the new brackets is expected in mid-March (the adjustable bracket will be in production in early July).

### CrystalLine Frameless Hinge Drip Sweep

Newly designed U-channel drip sweeps will be introduced for CrystalLine frameless hinge doors in mid-to-late April. These new sweeps for 1/4" and 3/16" glass will greatly simplify sweep installation and, if a sweep is ever damaged, it can easily be replaced by the homeowner. The U-channel drip sweep will become the standard for CrystalLine frameless doors while the current "Stick-on" drip sweep will still be an available option.

### SEJ 160

#### High Strength Header For CrystalLine Hinge

The SEJ 160 header, originally designed for Signature Pivot Door applications, will now be offered as an option for oversize CrystalLine hinge door applications. This header will give a stronger, more ridged structure for wider and taller CrystalLine installations.

Designed to be used with 1/4" glass, a new panel bead will be available in late April that will fit the panel firmly into the header. The header will accept all of the CrystalLine vertical extrusions and is provided with an SEJ 161 snap-in filler piece to finish off the top of the door opening.

## Technical Tip

### Angled Wall Applications

There are several options available from Southeastern Aluminum for handling an angled wall application. Any of these options can be used on the door or the panel side of the unit.

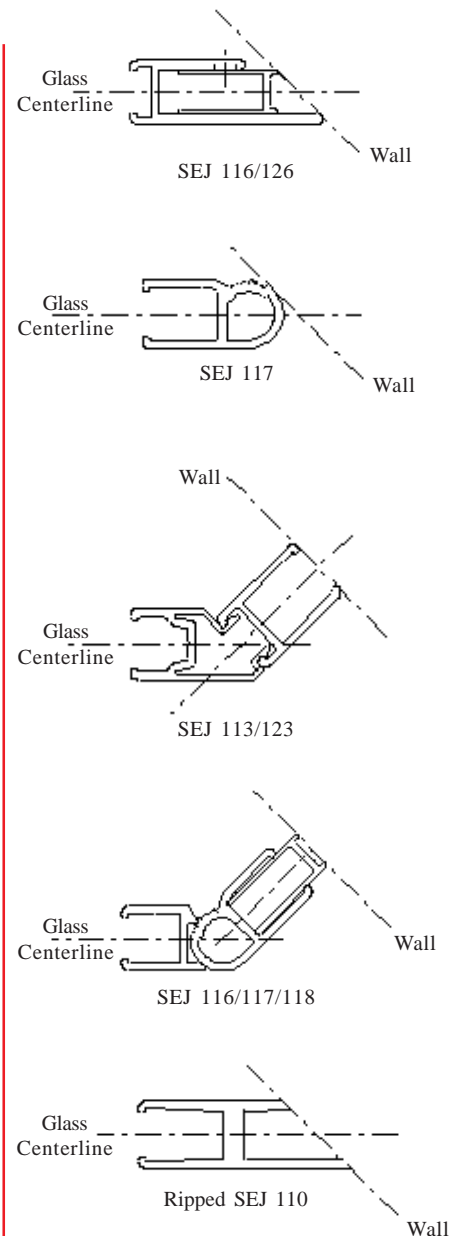
The 116/126 wall adjust assembly was specifically created for angled walls. It will allow installation on a wall angled from 35 degrees to 55 degrees and is available in all colors except brushed nickel. This application requires your headers and thresholds to be mitered at the angle of the wall.

Prior to the introduction of the 116/126 wall adjust assembly, the 117 adjustable post without the receiver was the most common way of handling an angled wall. The 117 adjustable post would screw directly into the wall at the appropriate angle. This application also requires the mitering of the header and threshold and is available in all colors except brushed nickel.

Using an SEJ 113/123 (135 degree snap post with a wall jamb), a 116/117/118 (adjustable post and filler) or a 128/129 (interlocking adjustable post) allows the installer to come away from the wall slightly and make a turn to center in the opening. All of these options require a small piece of header and threshold to be cut at the angle of the wall and also mitered at the post end to make the appropriate turn at the angle being used.

The 110 H-post can also be used at the juncture of an angled wall, however, the extrusion has to be “ripped” at the appropriate angle and also requires that the headers and thresholds be mitered. The 110 is available in all colors.

As you can see, there are several options for handling angled wall applications. Regardless of the option chosen, the customer service department will make the appropriate centerline deductions.



### CrystalSoft Software Update News

Southeastern Aluminum Products mailed out the most recent software update during the first week of February '03. Packages were shipped via the USPS in manila envelopes that were labeled with a “Software Update Enclosed” sticker. The packages contained a CD and a two-part users manual. If you are expecting an update but have not received it yet, please contact Jay Mesawitz @ 1-800-243-8200 ext.160 or [jaymesawitz@southeasternaluminum.com](mailto:jaymesawitz@southeasternaluminum.com).

The most noticeable difference in this update is the addition of Signature Pivot, our 3/8-inch glass product line. Minor changes include a customer database, the ability to modify cut sheets on-screen, the ability to save a cut sheet as a document for later use and, if you use ‘Outlook’ or ‘Outlook Express’ for e-mail, the ability to e-mail a cut sheet or quote directly from the preview window. Another important addition to CrystalSoft is a built in Web-Update function. A Web-Update button is located under the Help menu on the

Continued on Page 4



## THE SEALPRO INSTALLER

A Newsletter For The Valued Customers of  
Southeastern Aluminum Products, Inc.  
P.O. Box 6427  
Jacksonville, Florida 32236

Check us out on the World Wide Web...  
[www.southeasternaluminum.com](http://www.southeasternaluminum.com)

---

### **CrystalSoft Software Update News (Continued From Page 3)**

main configuration screen. If you have Internet access from your computer this function will open Explorer, compare your current version of CrystalSoft to the most current version and enable a download if one is necessary. Download time for a dial-up connection is five to eight minutes and less than a minute with a cable or DSL connection. Updates will be posted to the web frequently for minor changes like the addition of a new configuration. These updates are not essential, however every 6 months the software will force you to install an update in order to keep pricing current. This automatic update can also be downloaded using the Web Update function. The next update for pricing will be September '03 and should not be interpreted as a price increase, merely a validation of current pricing.

In the coming months updates will include: a half dozen new configurations, Brushed Nickel option for Signature Bypass customs, more custom powder coat colors for CrystalLine Hinge, Rain glass option for Signature Pivot and more and more.

Thanks to all the CrystalSoft users for your generous feedback this past year and once again we invite you to click the Web Update button about once a month to stay current. For those users who do not have Internet access a CD update will be available upon request for the 6 month pricing validation update. You may submit your request for updates on CD by calling or e-mailing Jay Mesawitz.

---

### **Other News**

#### **Wall Mounted Floor Display**

Southeastern Aluminum has developed a new floor display option for those customers that do not have room for a larger floor display or would like to add Signature Pivot but do not want to change anything in their existing display.

The new wall mounted display is now available and can be utilized to display any of the Southeastern hinge-type doors without the need for additional space. As the title implies, this display is mounted to the wall on four pieces of SEJ 38 that are pre-cut and supplied with the display. These pieces allow distance between the wall and the unit, thereby making room for your chosen handle. Please contact your customer service representative for more information.