

Southeastern Aluminum Products, Inc.

Telephone: 904-781-8200 • Post Office Box 6427 • Jacksonville, Florida 32236-6427

INSTALLATION INSTRUCTIONS **CRYSTALLINE FRAMELESS BY-PASS DOOR**

IMPORTANT: Read all instructions carefully and become familiar with all parts before installation.

STEP 1 Attaching hanger brackets: Snap off the clamp bar at the top of the bracket using a vise or pliers. Attach two hanger brackets (K) to both glass panels (J) with the center of the brackets 5" from the edge of the glass. Insert the clamp bar between the glass and the set screws. Lightly tighten the center set screw to hold the clamp bar in position and then lightly tighten the outboard set screws. In 3 or 4 steps alternately tighten the set screws. Finally, tighten the set screws with the torque that can be exerted with your fingers on the 2" handle of the wrench supplied. **NOTE: do not use an allen wrench with more than a 2" long handle.**
(Important: If using obscure glass, install brackets so that the smooth side of the glass is to the inside.)

STEP 2 The sill track (A) is provided oversized. Measure the inside wall opening on tub or shower ledge. Cut the sill track 7/8" less than this measurement. Insert sill track vinyl (R) into sill track (A). Apply a bead of silicone to bottom flat edges of sill track. Lay flat on tub or shower ledge with low side to the inside. Leave equal space at each end.

STEP 3 Place wall jambs (D) in vertical position over sill track (A) and press all the way down (Short legs to wall). Using a level to plumb each wall jamb, mark and drill holes for plastic anchors (E) using a 3/16" masonry bit. For fiberglass and acrylic stalls, use a 1/8" bit. Fasten jambs with #8 x 1 1/2" pan head screws (F).

STEP 4 The header (I) is provided oversized. Measure the inside wall opening at the top of the jamb (D) and cut header 1/16" less than this measurement. Place the header in place over the jambs with side of choice facing the outside.

STEP 5 To set tempered glass panels (J) in place, lift the inside panel inserting rollers (K) into header (I) and lower into place. Next lift outside panel in place, being sure bottom of panel is inside sill track (A), and insert rollers into header. Avoid bracket to bracket contact while lifting panels into place. If either panel needs to be adjusted for plumb, remove from header and move roller position in hanger bracket until panel is square with jamb.

STEP 6 Insert sill guide (B) into the slot on sill track dam and position in center of track (A). Align panels (J) inside guide. Secure guide with # 6 x 3/8" self drilling tek screws (C). **IMPORTANT: DO NOT OVERTIGHTEN.**

STEP 7 **To install with Acrylic Towel Bar:**

Towel bar (L) is to be installed on outside glass panel only, and positioned at opposite end of the shower head. Insert towel bar (L) into one of the towel bar brackets (M) and secure with one #8-32 x 3/16 set screw (O) using the allen wrench provided. Center bracket pad (N)* on edge of glass and press towel bar and bracket assembly onto glass using a block of wood or rubber mallet. Place remaining pad (N)* on opposite glass edge and press second towel bar bracket onto glass mating bracket with the towel bar and secure with #8-32 x 3/16 set screw (O) provided, completing the towel bar assembly. Be sure to position brackets so that they are centered to the middle jamb screw.

To install with Metal Towel Bar:

Insert forked end of one bracket into one open end of towel bar. Center bracket pad (N)* on edge of glass and press towel bar and bracket assembly onto glass using a block of wood or rubber mallet. Place remaining pad on opposite glass edge and press second towel bar bracket onto glass mating bracket with towel bar.

NOTE: To ensure correct fit of bracket to towel bar, the forked end of bracket may need to be adjusted with a flat-head screwdriver or pliers.

NOTE: IF NECESSARY, LUBRICATE BRACKET PADS (FOR EITHER TOWEL BAR STYLE) WITH WATER OR GLASS CLEANER TO AVOID TEARING PAD DURING INSTALLATION.

*** USE BLACK PAD FOR 3/16" THICK GLASS, USE CLEAR PAD FOR 1/4" THICK GLASS.**

STEP 8 Install pull (P) on inside panel next to shower head. Use same attachment procedure as with towel bar brackets (M) and align pull with towel bar (L).

STEP 9

Center hole in each jamb (D) is slotted to allow adjustment in case of bowed glass. Roll glass panels (J) into respective jambs and check alignment. If either glass or panel hardware hits edge of jamb, loosen center screw and adjust jamb as needed to insure proper closure.

STEP 10

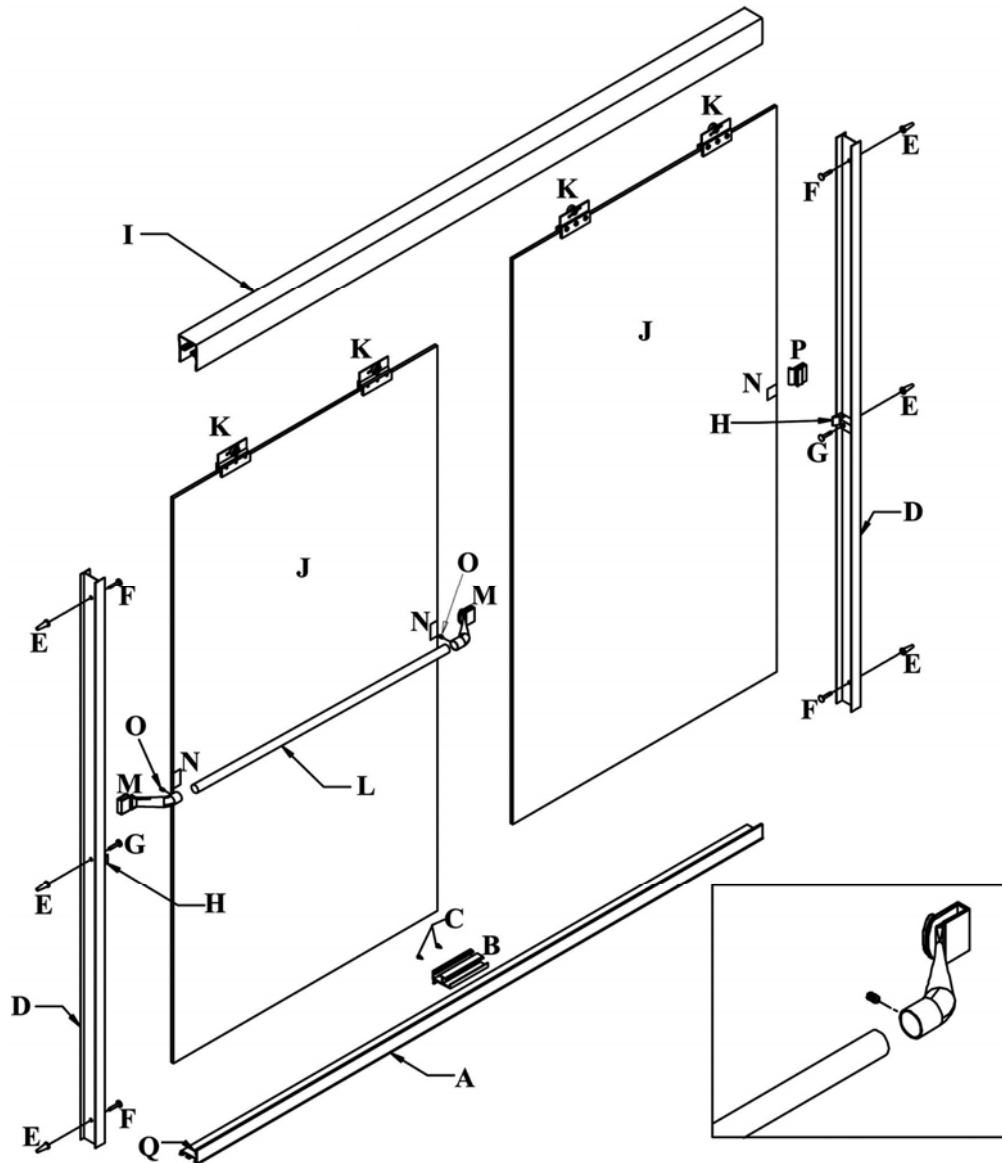
Secure jamb bumpers (H) in place with #6 x 3/4" pan head screws (G). Make sure raised portion of jamb bumper is to outside on shower head end and to the inside on opposite end. An optional jamb bumper (not shown) is provided and may be used either top or bottom on jamb (D) if needed.

STEP 11

Caulk all edges and joints exposed to water including where ends of sill track meet interior surface of wall jambs using a silicone based caulk or other suitable sealant that will prevent water leakage.

PARTS LIST

A	Sill Track with	1	K	Hanger Brackets with Rollers	4
B	Sill Track Guide	1	L	Acrylic Towel Bar	1
C	#6 x 3/8" Black Tek Screw	2	M	Towel Bar Brackets	2
D	Wall Jambs	2	N	Bracket Pads/Pull Pads	3
E	Plastic Anchors	6	O	#8-32 x 3/16" Set Screw	2
F	#8 x 1 1/2" Panhead Screws	6	P	Pull	1
G	#6 x 3/4" Panhead Screws	3	Q	Sill Track Vinyl	
H	Jamb Bumpers	2		(Not Shown) Optional Jamb Bumper	1
I	Header	1			
J	Tempered Glass Panels	2			



Metal Towel Bar Option Not Shown