

# Signature

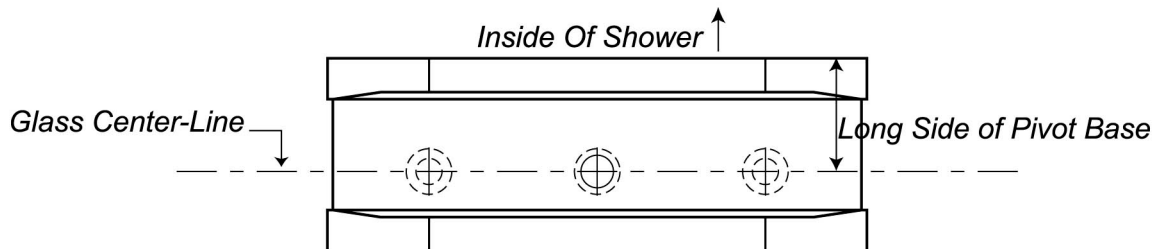
## PIVOT

U.S. Patent No 6,643,848

## GENERAL INSTALLATION INFORMATION

- Lay out the glass centerlines on the curb and up the walls. The vertical centerlines must be plumb from side to side. Walls leaning in or out must be compensated for in the way the glass is sized.
- Install the pivot base plate on the curb using the stick-on template to accurately locate the required  $\frac{1}{2}$ " diameter hole and the two  $\frac{1}{4}$ " diameter holes. The center-line of these three holes must be accurately located on the center-line of the glass.
  - ♦ Accurately center punch the hole centers.
  - ♦ For the center hole, drill  $\frac{1}{4}$ " pilot hole no deeper than  $\frac{1}{2}$ ".
  - ♦ Drill  $\frac{1}{2}$ " center hole, limit full hole depth to  $\frac{9}{16}$ " and avoid drilling into the shower liner.
  - ♦ For the two outboard holes, drill  $\frac{1}{4}$ " holes no deeper than  $\frac{1}{2}$ ".
  - ♦ The pivot base plate is not symmetrical along the glass center-line. It is essential that the pivot base plate be mounted with the long side to the inside of the shower as shown below:
- Set the pivot base plate in place using a generous amount of clear silicone in the three curb holes and under the pivot base plate. The door should be set in place while this silicone is wet. The door should be taped in alignment with a mating fixed panel or the previously marked glass center-line until the silicone has firmly cured. When installing the door it is usually best to carefully slide the glass into the upper and lower channels. The channels should be in a slight open position and the upper channel must manually

### Pivot Base Plate (Top View)



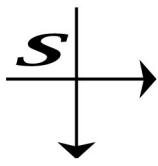
be held in place.

**Tip:** Tape 3 or 4,  $\frac{3}{16}$ " thick setting blocks to the hinge side wall. These will act to protect the glass edge and provide the wall clearance setting.  $\frac{3}{8}$ " thick setting blocks placed on the curb will give protection to the bottom glass edge.

- Since the door rises slightly, when opened it is absolutely essential that there be  $\frac{1}{16}$ " to  $\frac{1}{8}$ " clearance between the bottom of the top socket and the top of the upper channel.

## CURB TO SOFFIT INSTALLATION INFORMATION

- Install the pivot base on the glass center-line marked on the curb.
- Install the soffit sleeve and top socket using only the hole in the center of the stick-on template.
- Bore a hole for the soffit sleeve using a  $\frac{9}{16}$ " masonry drill bit.
- Using a plumb bob, check that the soffit hole center is directly over the center of the middle hole on the pivot base plate. It is essential that these two center holes accurately align.
- Put clear silicone in the soffit sleeve hole.
- Secure the sleeve in place with the screw supplied. The screw must thread into a solid wood header.



# *Southeastern Aluminum Products, Inc.*

## **CURB TO PIVOT WALL BLOCK INFORMATION**

- Install the pivot base on the glass center-line.  
If the wall slopes out, the base plate will need to move closer to the wall in order to align with the upper pivot in the pivot wall block. If the wall slopes in, the base plate must move away from the wall.
- To locate the wall block vertical position, hold the entire door glass/pivot channels/wall block assembly in place in the closed position on the pivot base plate. With a  $1/8$ " spacer between the upper channel and the top socket, mark the top of the wall block mount on the wall.
- Transfer the wall block mount hole positions to the wall.
- To determine whether there is a stud backing, drill a  $3/32$ " diameter hole in one screw location. If there is a stud backing,  $3/32$ " diameter holes are sufficient. If there is no stud backing, drill  $7/32$ " diameter holes and use the screw anchors supplied.
- Using three #8 x  $2 1/2$ " long screws, fasten the wall block mount to the wall on the glass center-line with the top level.  
Depending on the composition of the wall and backing, the installer must determine whether the  $2 1/2$ " screws will secure to a stud or require a screw anchor.
- With the pivot wall block in place on the upper channel, the door assembly can be slid in place under the wall block mount and secured with the flat head screws provided. The wall block must be pushed tight to the wall.

## **CURB TO HEADER INSTALLATION INFORMATION**

The top of the header must be accurately positioned at the overall unit height and on the vertical center-line of the glass at each wall. The header is fastened to each wall with a header wall mount bracket that is secured to the wall with 2" long screws put in the wall at a 30° angle downward. To accurately locate the bracket, a trial header set up must be made.

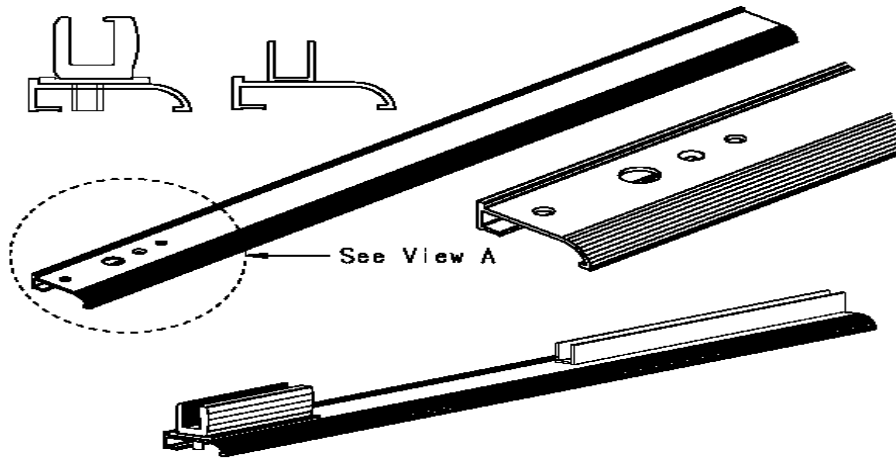
### **To INSTALL Using GLAZING CHANNELS**

- Using previously laid out vertical and horizontal centerlines, install the fixed panel glazing channel.
- Cut the vertical glazing channel  $9/16$ " shorter than the overall unit height for  $3/8$ " glass or  $1 1/4$ " shorter for  $1/2$ " glass
- Cut the header to the proper length.
- Slide the header wall mount brackets into the header and lock them in place flush with the ends of the header. Check that the top of the header is at the overall unit height.
- Transfer the location of the 30° sloping hole to the wall and drill a hole for a #10 x 2" long screw using the wall bracket as drill jig.  
Depending on the composition of the wall and backing, the installer must determine whether the 2" screws will secure to a stud or require a screw anchor.

### **To INSTALL Using BRACKETS**

- If the panel installation uses brackets rather than glazing channels, the brackets and panel glass should be installed first.
- For  $3/8$ " Glass: Temporarily place the header on the panel using two 1" long pieces of the vinyl glazing bead per panel.  
For  $1/2$ " Glass: Temporarily place the header on the panel using two  $1/16$ " thick setting blocks.
- Check that the overall unit height is correct and drill the 30° sloping holes in the walls as described in the previous Curb to Wall Block Section.
- Remove the header and put full-length pieces of vinyl on top of the panel glass.
- Place the stick-on drill template provided to assure the mounting holes for the pivot header block are drilled in the proper location on the center-line of the header.
- Drill the  $7/32$ " holes for the #10-32 mounting screws.
- Drill a  $3/32$ " plumb bob line hole.
- Install the header on the glass panels and fasten it securely to the walls.
- Secure the pivot header block in place using the #10-32 screws and washers provided.
- Thread the plumb bob line through the  $3/32$ " hole in the header and use the plumb bob to locate and check that the base plate drill template is properly positioned on the curb.
- Install the pivot base plate and then the door assembly as described in the previous General Installation section.

# Signature Pivot Series Threshold Instructions



- 1) Measure opening and cut threshold to opening width.

## **PIVOT TO WALL APPLICATION:**

- 2) Line up **edge to wall** end of pivot channel kit template on threshold end to receive base plate.
- 3) Make sure **glass center-line** on template is on the center-line of threshold.
- 4) Drill as instructed on template.
- 5) Drill a 3/16" hole between the 1/2" hole and 1/4" for anchoring threshold to curb as shown in view A. Countersink hole.  
**Note:** You may also wish to fabricate a 3/16" hole at opposite end for threshold for fastening as well, however, this screw head may be exposed.
- 6) Locate threshold anchor points on curb, drill with 3/16" bit, fill hole with silicone, and insert anchors.
- 7) Place bead of silicone or VHB tape on bottom of outside leg of threshold and place on curb.
- 8) Anchor with one or two flathead screws as desired through 3/16" countersunk holes.

## **PIVOT TO GLASS APPLICATION:**

- 2) Attach glazing channel, clamps, or clips to center line of threshold. Utilize the chosen application anchor screws to continue through the threshold and anchor to the curb if desired.  
**Note:** You may also wish to fabricate a 3/16" hole at opposite end of threshold for fastening as well, however, this screw head may be exposed.
- 3) Locate threshold anchor points on curb, drill with 3/16" bit, fill hole with silicone, and insert anchors.
- 4) Place bead of silicone or VHB tape on bottom of outside leg of threshold and place on curb.
- 5) Anchor with one or two flathead screws as desired through 3/16" countersunk holes or panel glass fasteners.
- 6) Install glass panel according to method selected.
- 7) Line up center line of pivot channel kit template on glass center-line of threshold with **edge to glass** at the panel and drill as shown.

*EDGE TO WALL*

*INSIDE OF SHOWER*

*EDGE TO WALL*

*DRILL ONE 9/16 D. HOLE  
IN SOFFIT TO ACCEPT SOFFIT SLEEVE*

*GLASS  
C/L*

*FOLD OR CUT ALONG THIS LINE FOR USE WITH SEJ 168 T-HOLD*

*C' PUNCH, DRILL 1/4 D. PILOT HOLE  
THEN DRILL 1/2 D. HOLE  
TO ACCEPT BASE PLATE*

*C' PUNCH, DRILL 1/4 D.  
HOLES, 2 PLACES  
TO ACCEPT BASE PLATE*

