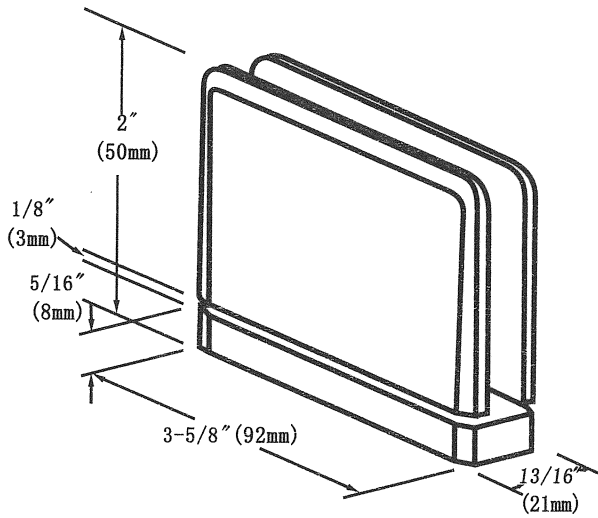


SIGNATURE SERIES 500 PIVOT HINGE



*Southeastern
Aluminum
products, Inc.*

SPECIFICATIONS:

GLASS SIZES:
5/16" (8mm) to 3/8" (10mm) tempered safety glass

CONSTRUCTION:
Solid brass

Closing Type:
Self-centering when within 15° of Closed position

CUTOUT REQUIRED

INCLUDES:
Gaskets, screws and template

NOTE:
Do not exceed either maximum weight or width when choosing proper quantity of hinges

*Maximum Door Capacities	5/16" (8mm) Glass		3/8" (10mm) Glass	
	Weight	Width	Weight	Width
Using 2 Hinges	100lbs. (46kg)	31" (787mm)	100lbs. (46kg)	31" (787mm)

SIGNATURE SERIES 500 PIVOT HINGE

IMPORTANT

Project measurements from the edge of the glass

