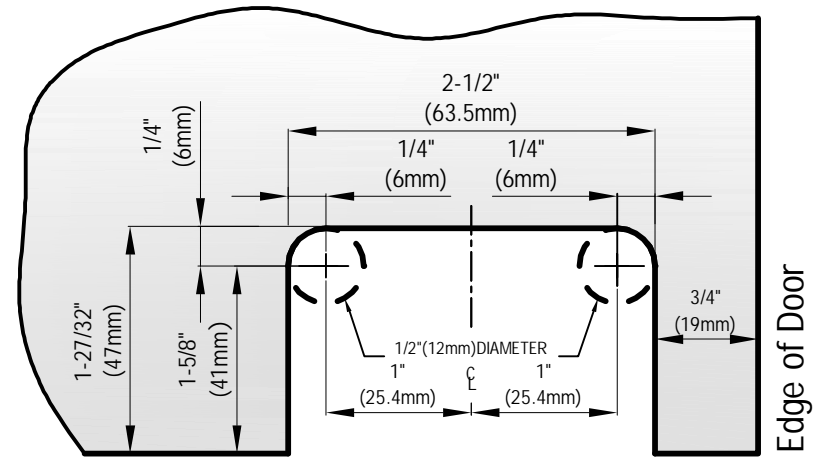
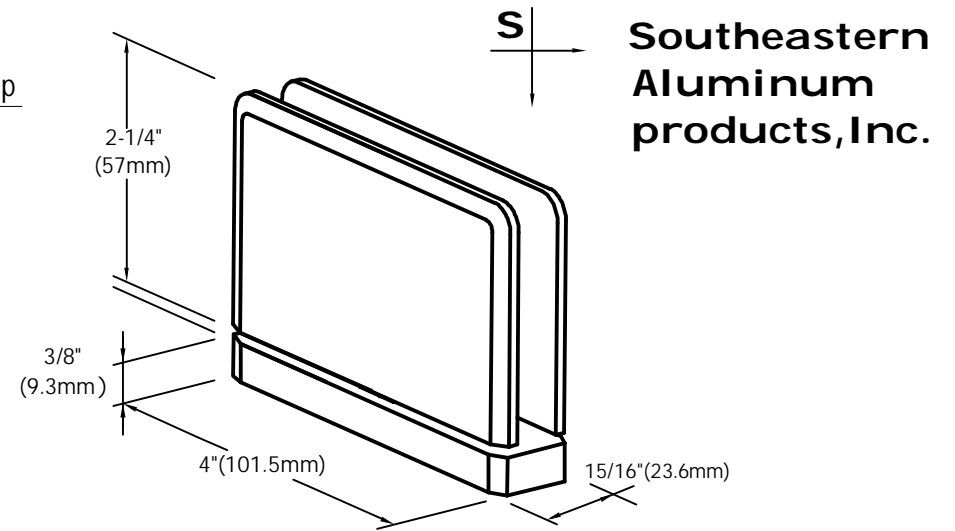
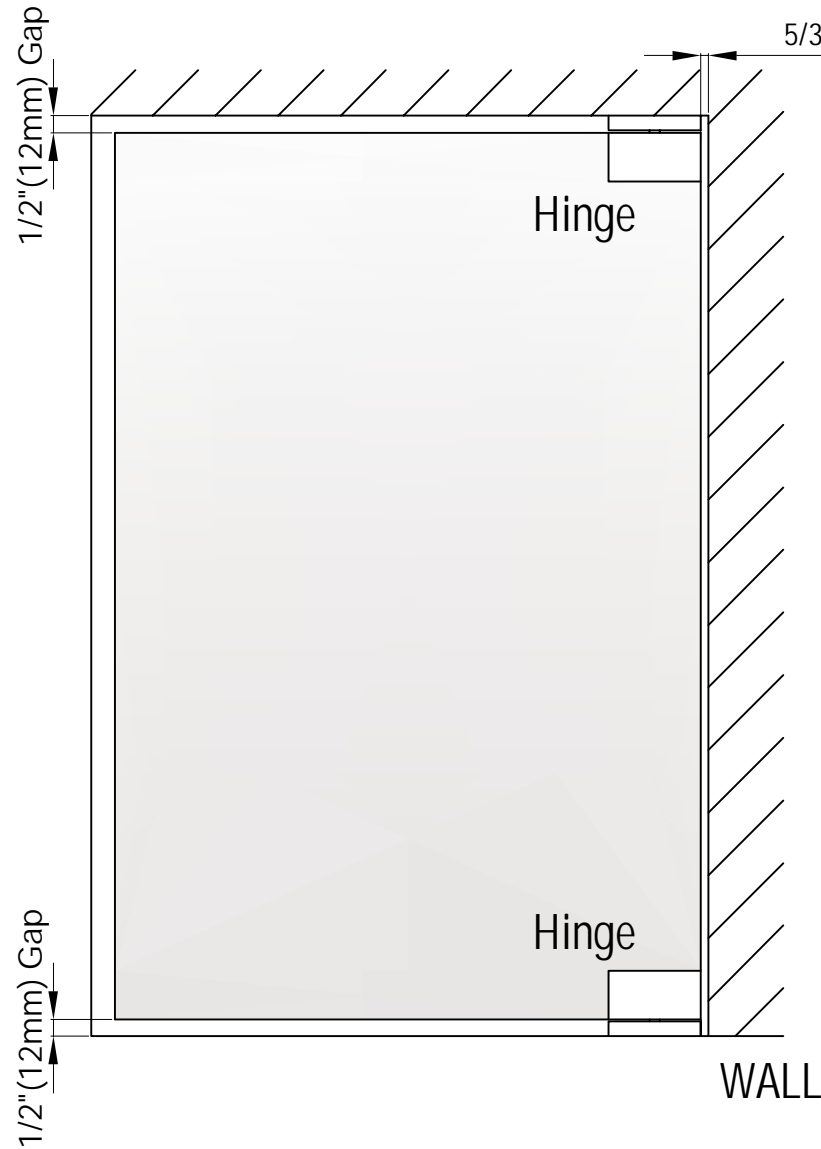


600 SERIES HEAVY DUTY PIVOT HINGE



Top or Bottom of Door

Important:

project measurements from the edge of the Glass
Glass Size: 3/8" (10mm) to 1/2" (12mm) Tempered Safety Glass

Maximun	3/8" (10mm) Glass		1/2" (12mm) Glass	
Capacities	Weight	Door Width	Weight	Door Width
Using Two Hinges	110lbs/50KG	36"/914mm	110lbs/50KG	36"/914mm

* NOTE: Do not exceed either maximum weight or width when choosing proper quantity of hinges.