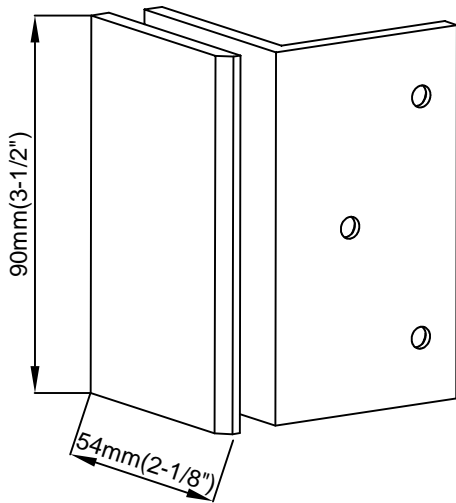


Glass Clamps



SPECIFICATIONS

GLASS SIZES:

For 8mm (5/16") to 12mm (1/2") glass

CAUTION

For public safety, we recommend only using tempered or safety glass. (But verify with local building codes.)
DO NOT USE POWER TOOLS FOR MOUNTING THESE HINGES

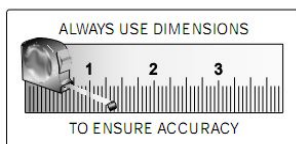
CLEANING

See reverse side for instructions

*Maximum Door Capacities	For 8mm 5/16" and 3/8" (10mm) Glass		1/2" (12mm) Glass	
	weight	width	weight	width
Using 2 Hinges	80lbs.(36kg)	28"(711mm)	80lbs.(36kg)	28"(711mm)
Using 3 Hinges	120lbs.(55kg)	32"(813mm)	120lbs.(55kg)	32"(813mm)

***NOTE:** Do not exceed either maximum weight or width when choosing proper quantity of hinges

Glass Clamps



IMPORTANT: Project measurements from the edge of the glass.

