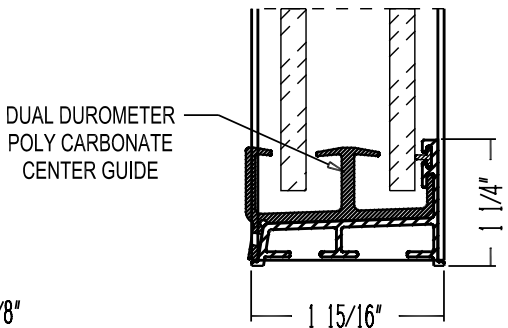
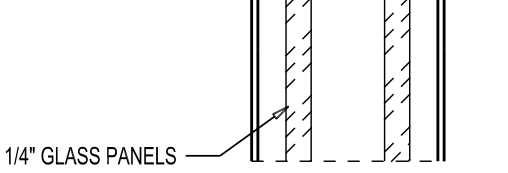
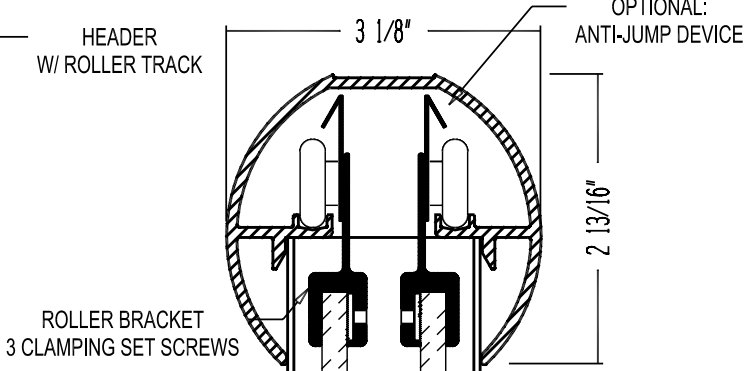
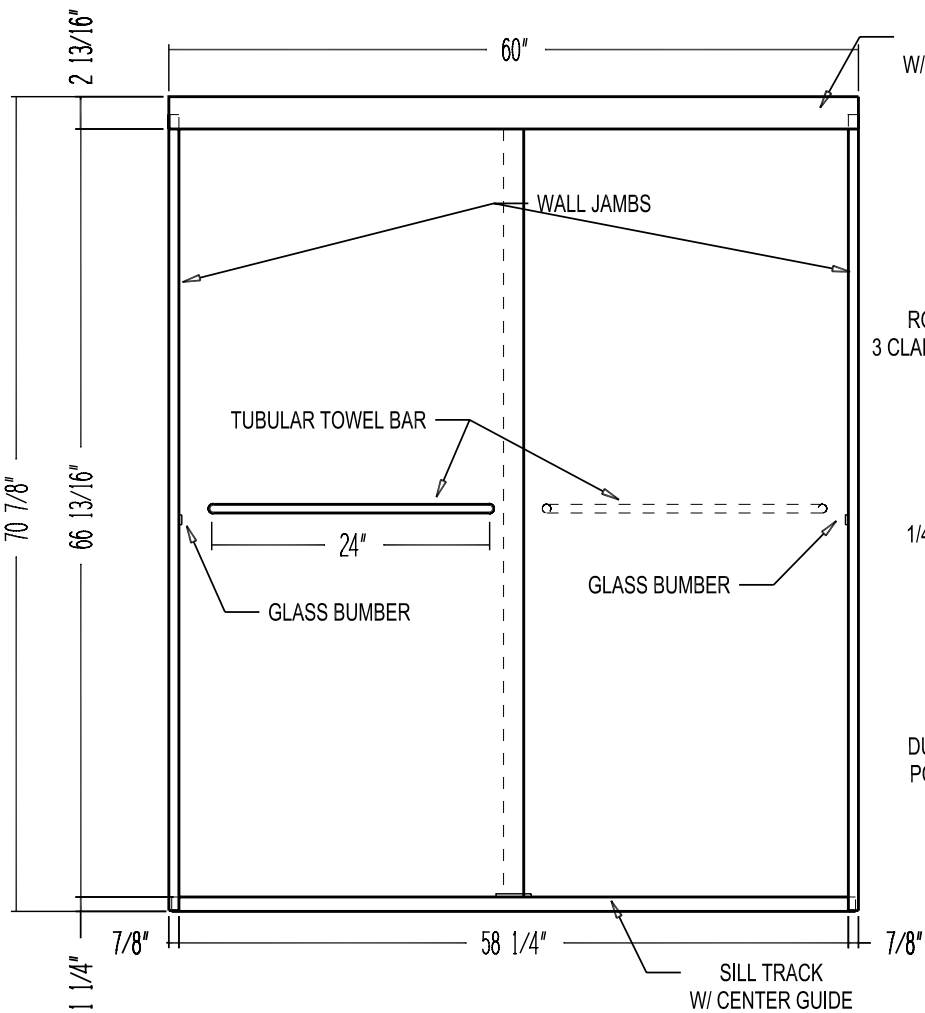


Signature By-Pass Glass Shower Door



Front Elevation

BASIC CONSTRUCTION: ALUMINUM EXTRUSION AND TEMPERED GLASS

JOB NAME / LOCATION: A***** COLOR: A*****
 QUANTITY: A*****

APPROVED BY: _____
 DATE: _____

